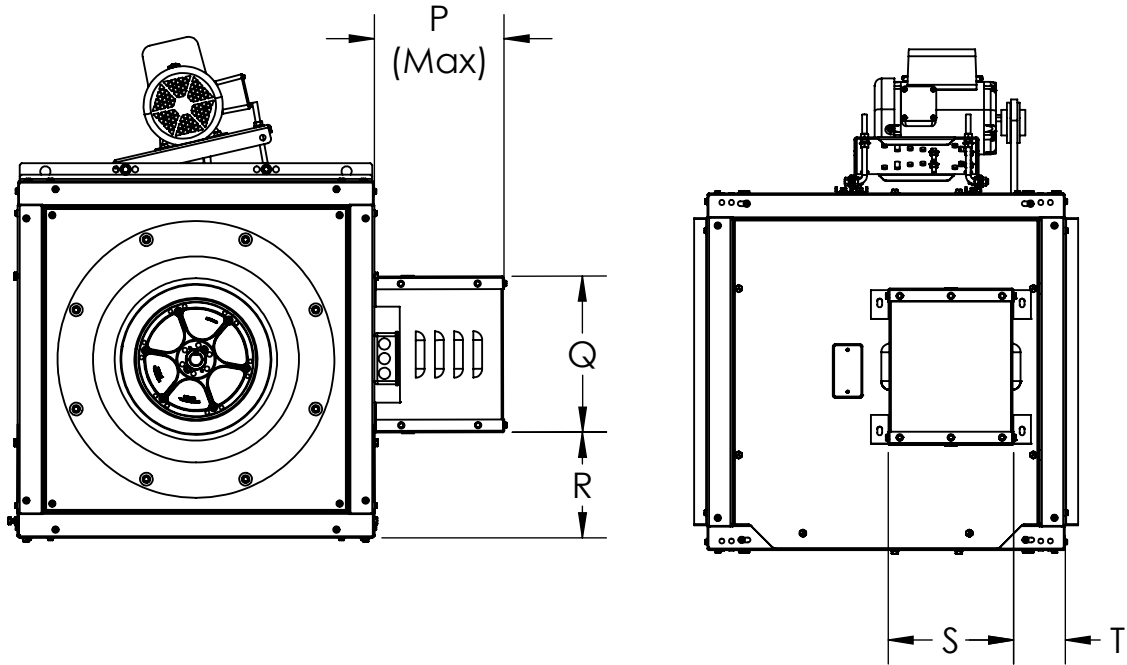


SQX - VFD ENCLOSURE
 CENTRIFUGAL SQUARE INLINE



DIMENSIONAL DATA

SIZES	P	Q	R	S	T
135	10.17	12.19	1.60	9.81	3.65
150	10.17	12.19	3.78	9.81	4.03
165	10.17	15.19	4.45	11.80	4.35
182	10.17	15.19	6.71	11.80	4.03
200	10.17	15.19	8.24	11.80	4.03
222	10.17	19.19	8.65	11.80	7.93
245	10.17	19.19	10.90	11.80	7.60
270	10.17	19.19	14.42	11.80	9.53
300	10.17	19.19	18.78	11.80	9.60
330	10.17	19.19	21.40	11.80	12.90
365	10.17	19.19	26.28	11.80	14.28
402	10.17	19.19	31.90	11.80	13.40

ALL DIMENSIONS ARE IN INCHES

REVISION:

FORM:

REPLACES: